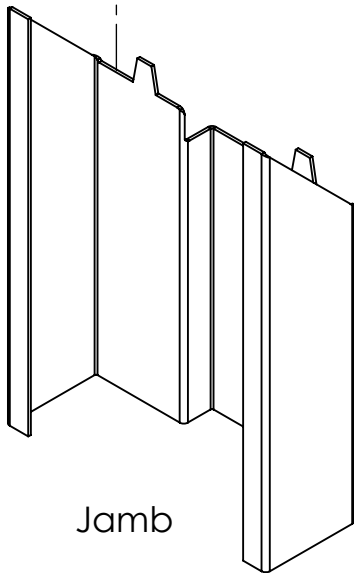
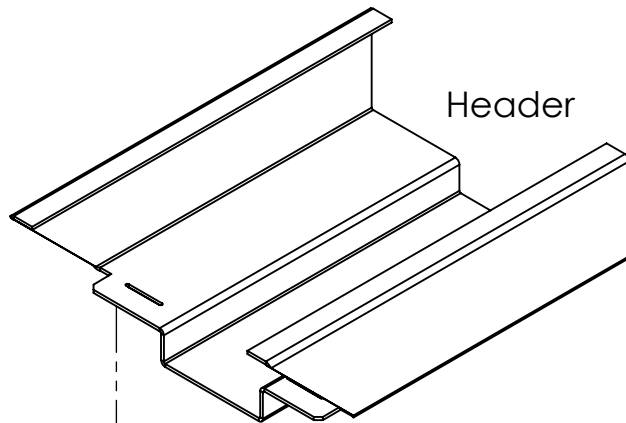


### Face Weld



Knock down tabs

Continuously weld return and face  
grind smooth finish  
May be field welded

