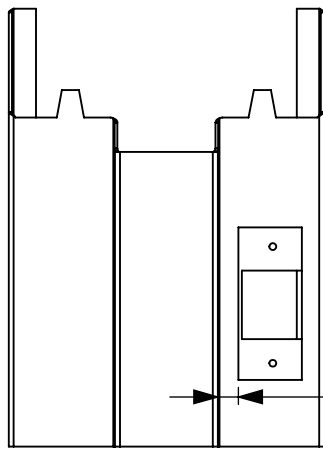
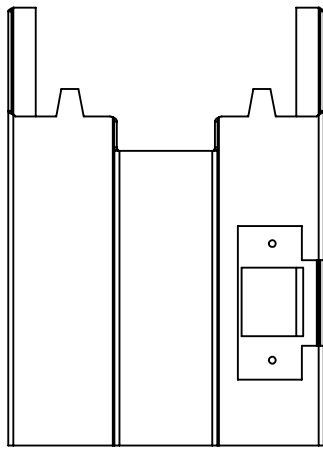


2-3/4" Strike & Reinforcement

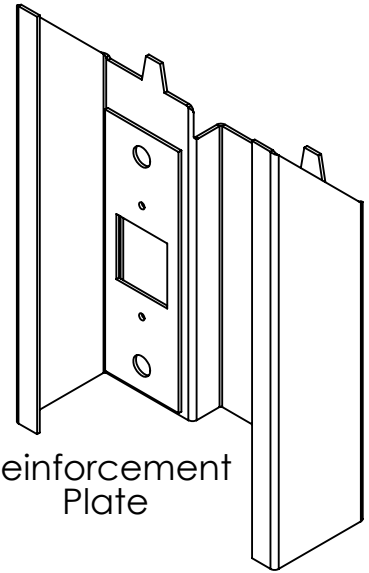


$\left[\frac{3}{8}\right]$
0.375

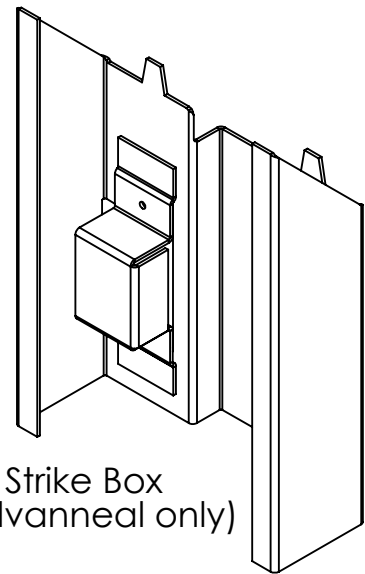
Typical Backset
for 1-3/4" Door
Subject to change
based on door or
rabbet thickness change



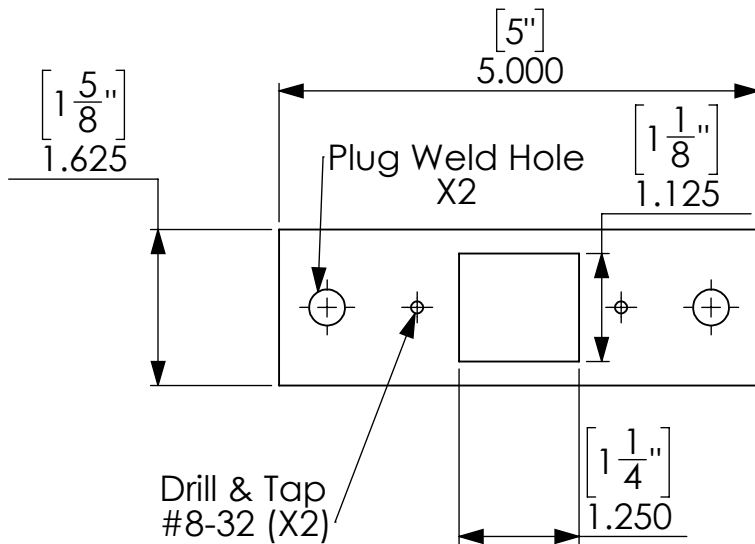
14 Gauge



Reinforcement
Plate



Strike Box
(Galvanneal only)



16 Gauge
(Manufactured by other)
Drill & Tap #8-32 (X2)

